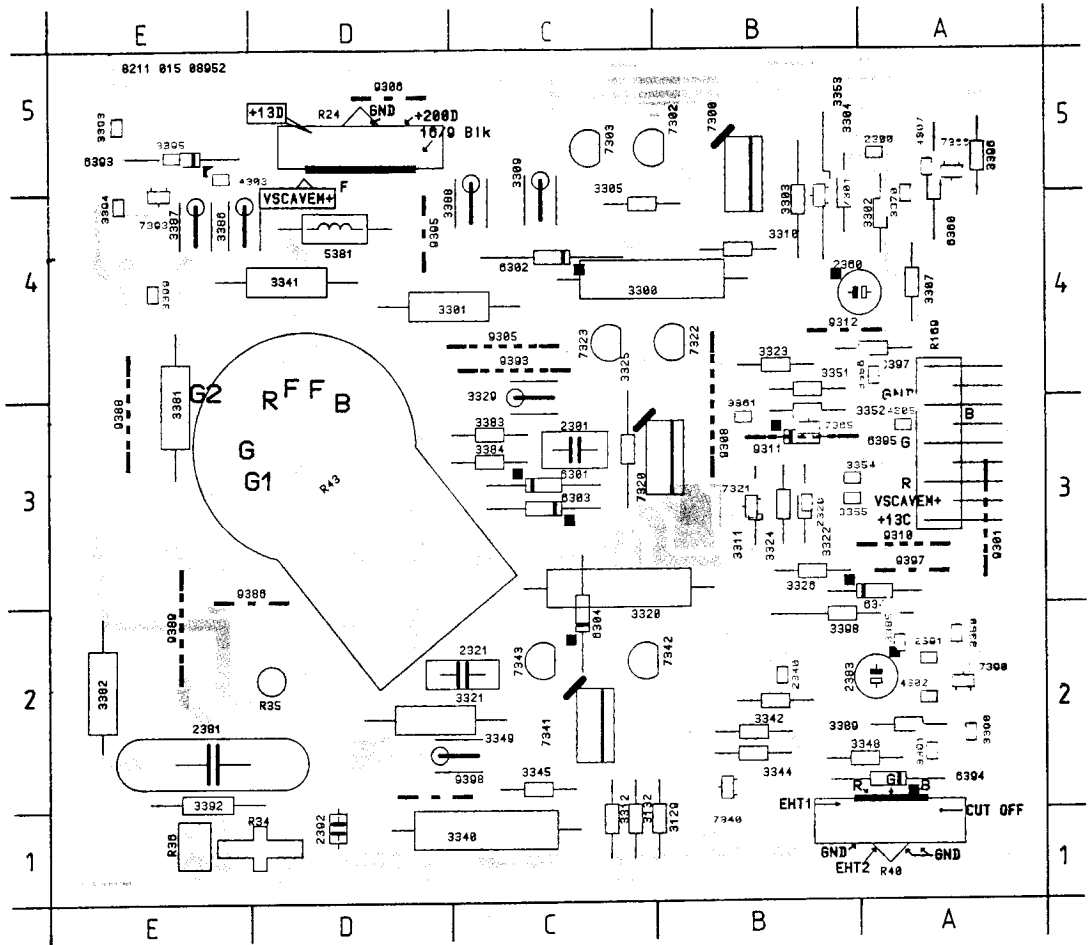
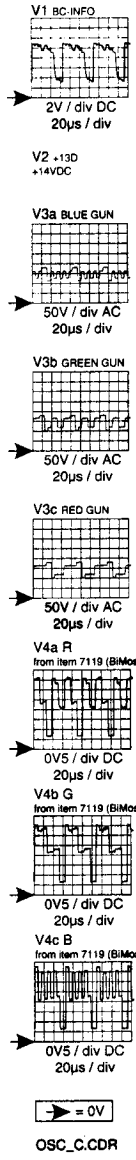


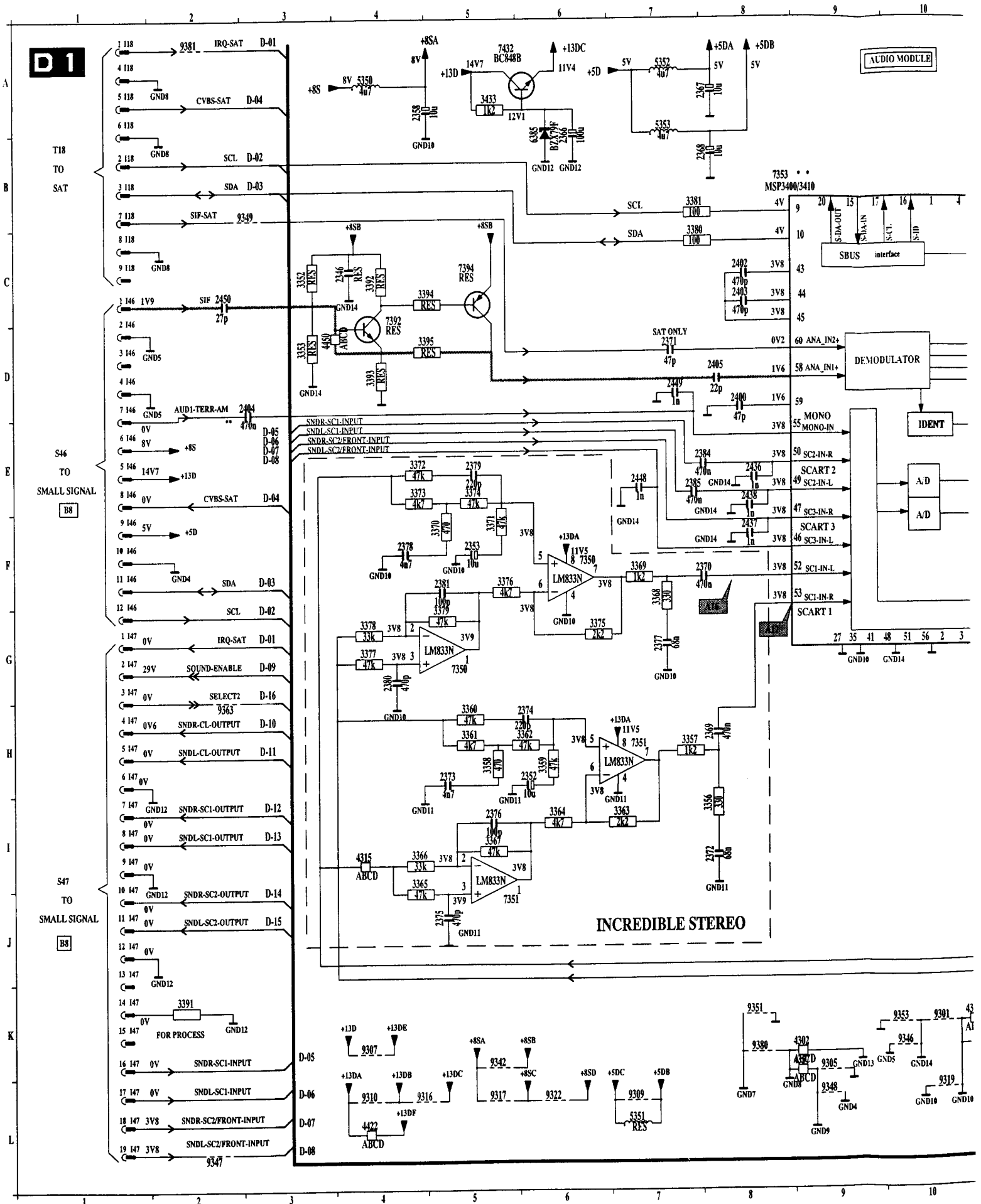
# CRT panel / CRT-Platine / Platine tube cathodique

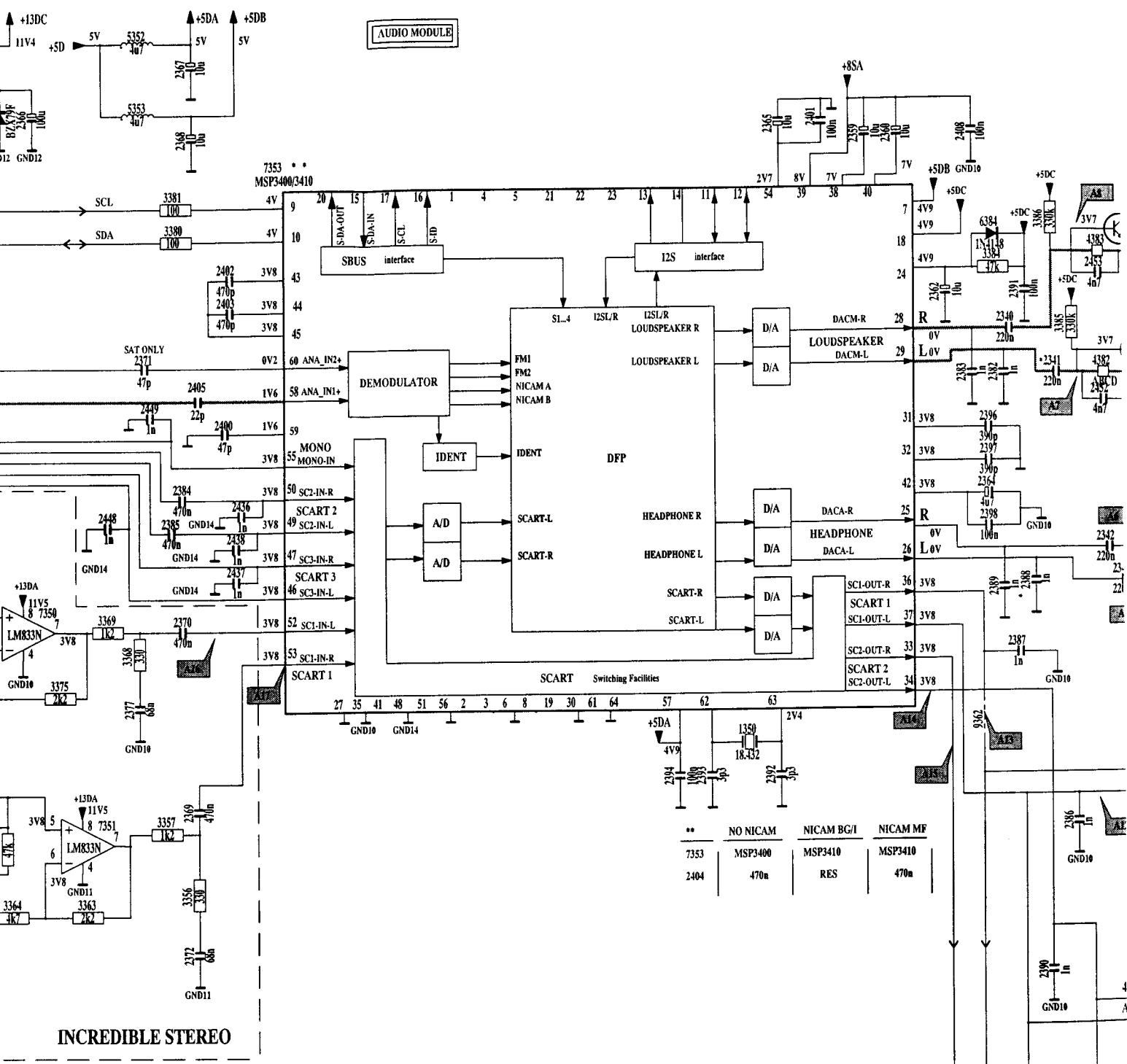


R34	D1	2360	A4	3305	B4	3326	B3	3352	B3	3386	D4	3398	A2	6360	A4	7340	B2*	9310	A3
R35	D2	2381	E2	3307	A4	3329	C3	3353	B4	3387	E4	3399	E4*	6393	E5	7341	C2	9311	B3
R36	E1	2383	A2	3309	C4	3340	C1	3354	A3*	3388	C4	4302	A2*	6394	A2	7342	B2	9312	A4
R40	A1	2391	A2*	3310	B4	3341	D4	3355	A3*	3389	A2	4303	E4*	6395	B3	7343	C2	9386	D2
R43	D3	2392	D1	3311	B3	3342	B2	3356	A4*	3390	A2*	4305	A3*	7300	B4	7365	B3*	9388	E3
R169	A3	3129	B1	3312	C1	3343	B2	3361	B3*	3391	A2*	4307	A5*	7301	B4*	7366	A4*	9389	E2
1300	E3*	3132	C1	3320	C3	3344	B2	3370	A4*	3392	E2	5381	D4	7302	B5	7390	A2*	9393	C4
2300	A5*	3300	B4	3321	D2	3345	C2	3381	E3	3393	E5*	6301	C3	7303	C5	7393	E4*	9395	D4
2301	C3	3301	C4	3322	B3	3348	A2	3382	E2	3394	E4*	6302	C4	7320	B3	9301	A3	9397	A3
2320	B3*	3302	A4	3323	B4	3349	C2	3383	C3	3395	E5*	6303	C3	7321	B3*	9305	C4	9398	D2
2321	C2	3303	B4	3324	B3	3350	A2*	3384	C3	3396	A5	6304	C2	7322	B4	9306	D5	*	= SMD
2340	B2*	3304	A4	3325	C3	3351	B3	3385	A2*	3397	A4	6344	A3	7323	C4	9308	B3	component	

For Service Manuals Contact  
**MAURITRON TECHNICAL SERVICES**  
 8 Cherry Tree Rd, Chinnor  
 Oxon OX9 4QY  
 Tel:- 01844-351694 Fax:- 01844-352554  
 Email:- enquiries@mauritron.co.uk

# Audio module / Audio Modul / Module audio



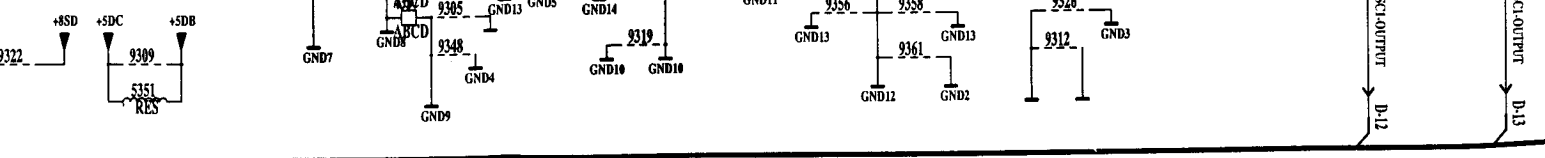


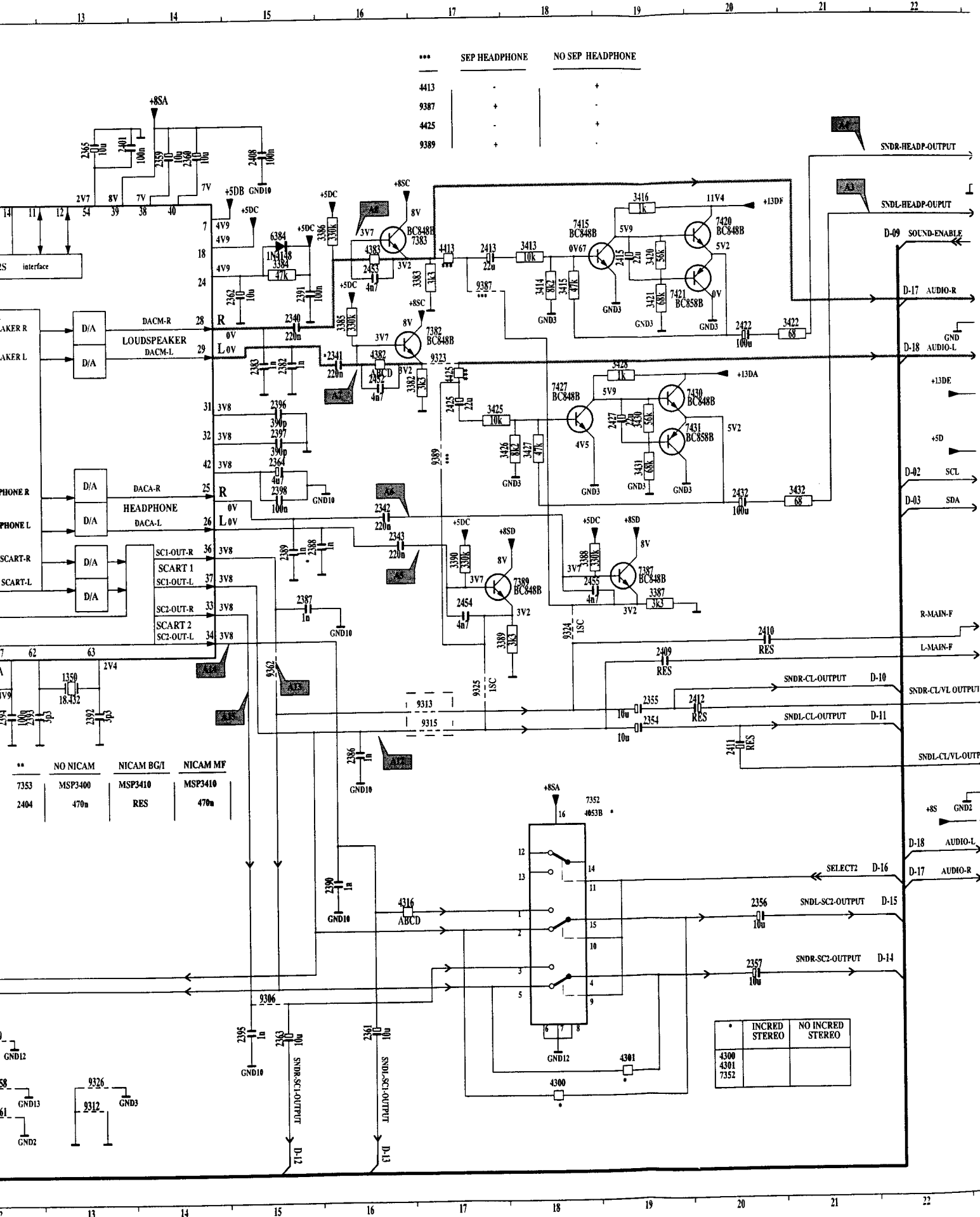
**AUDIO MODULE**

7353 \*\*  
MSP3400/3410

**	NO NICAM	NICAM BG/1	NICAM MF
7353	MSP3400	MSP3410	MSP3410
2404	470n	RES	470n

**INCREDIBLE STEREO**

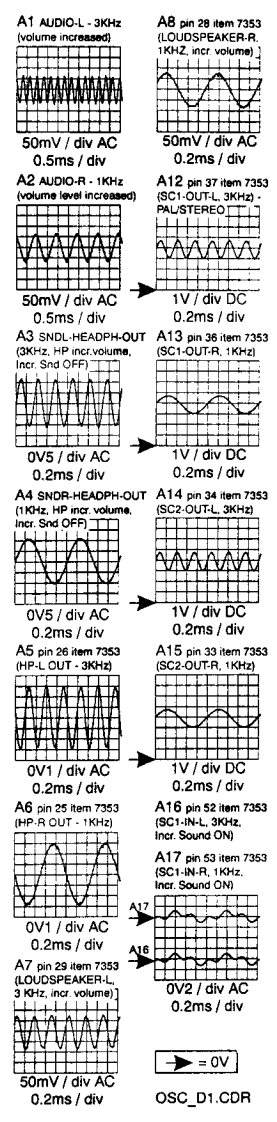
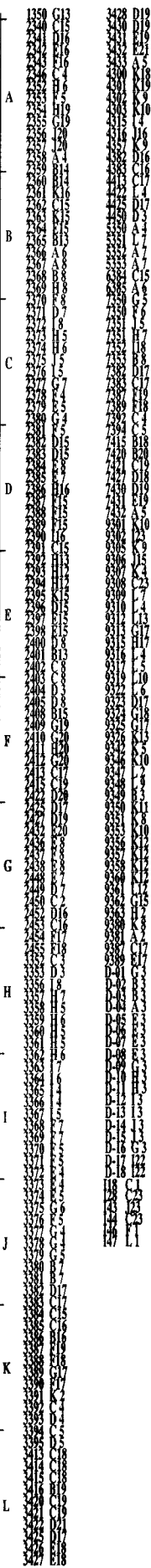
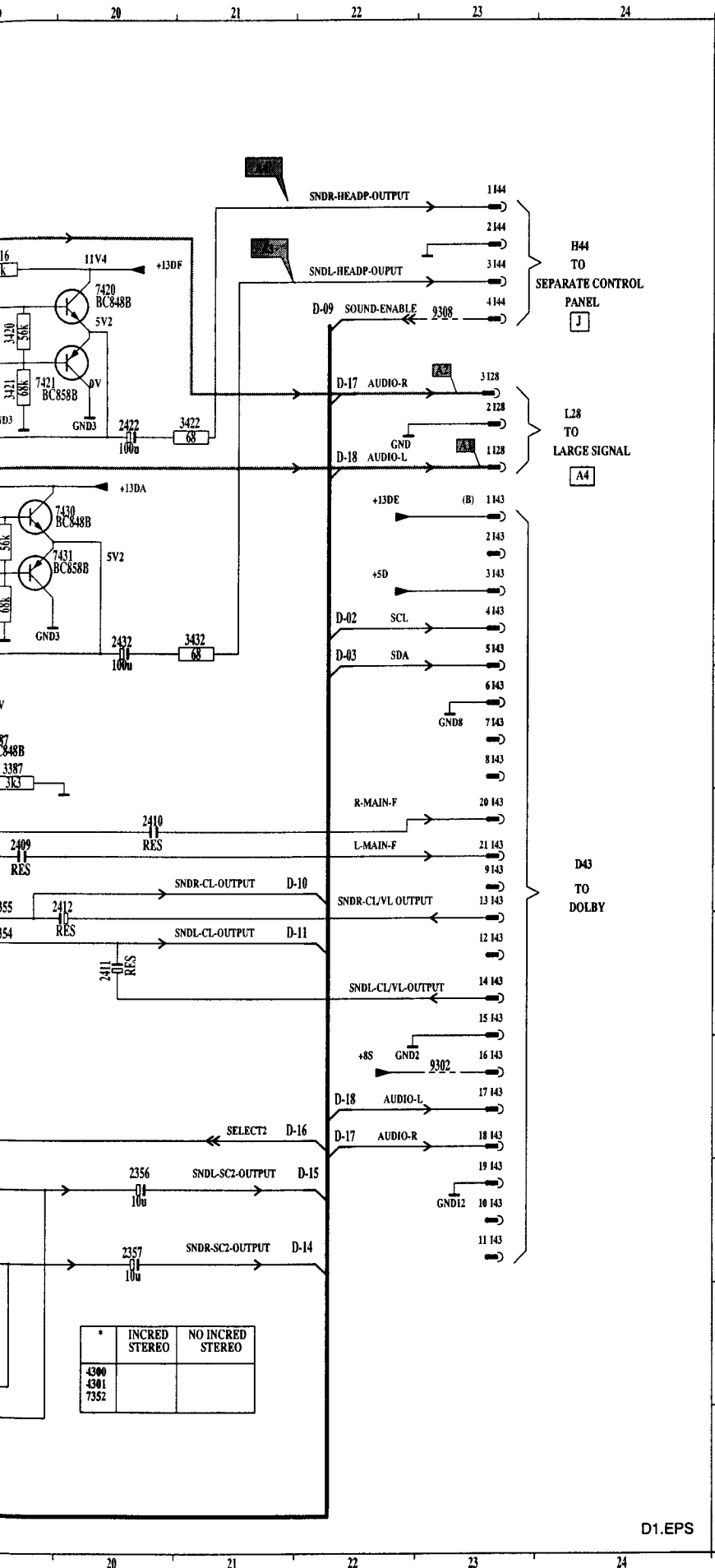




	SEP HEADPHONE	NO SEP HEADPHONE
4413	-	+
9387	+	-
4425	-	+
9389	+	-

**	NO NICAM	NICAM BGI	NICAM MF
7353	MSP3400	MSP3410	MSP3410
2404	470n	RES	470n

	INCRD STEREO	NO INCRD STEREO
4300		
4301		
7352		



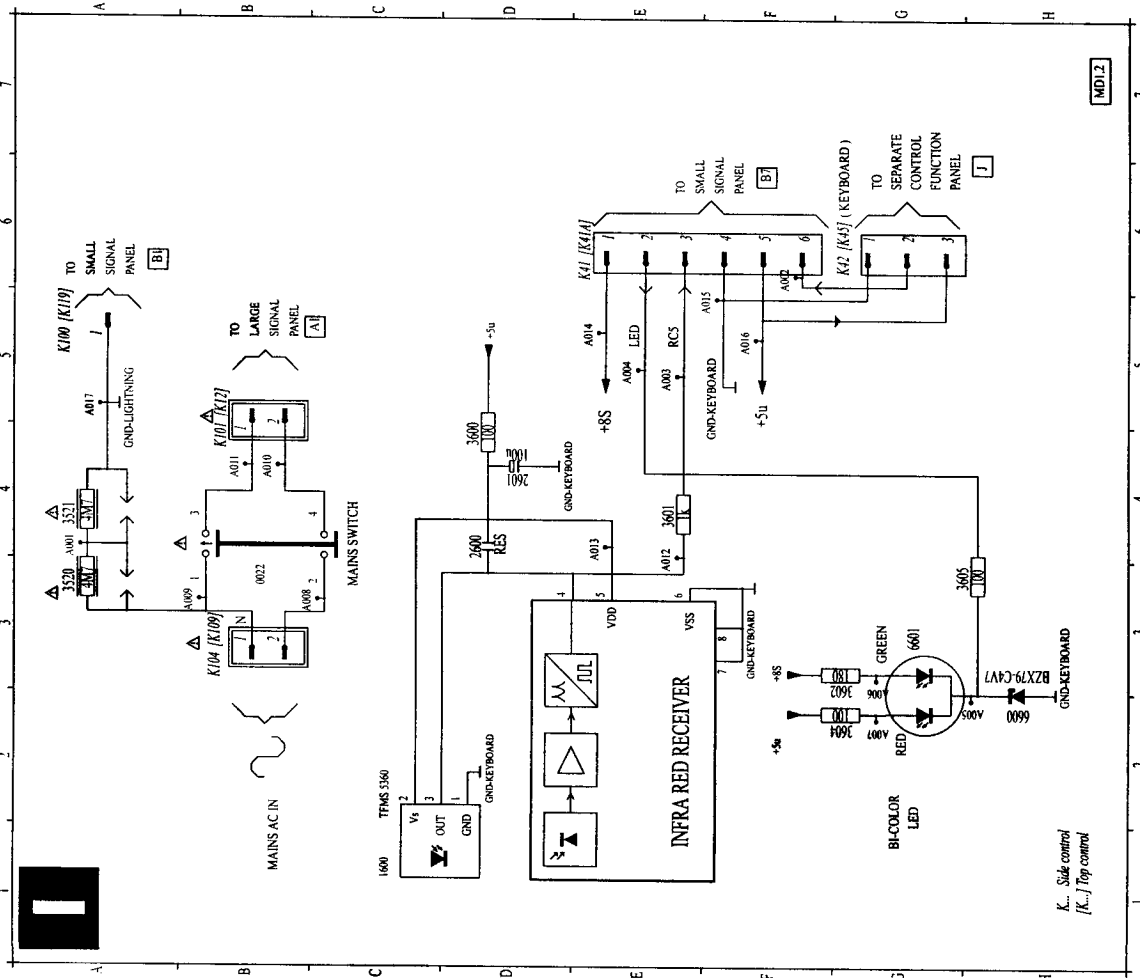




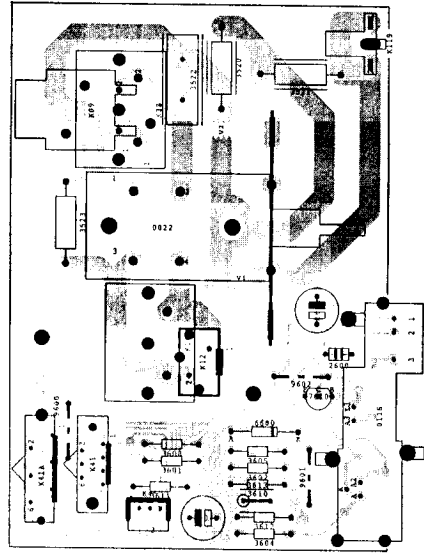




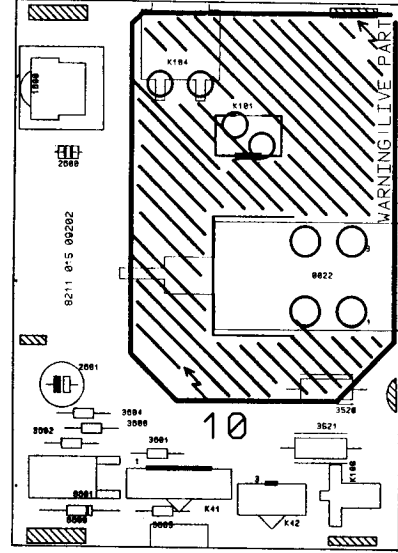
002 B1	3320 A1	3603 C3	6601 G3	008 B3	A01 E4	K14 B3
3600 B1	3602 C3	3605 B4	008 B3	008 B3	A01 E4	K14 B3
3601 B1	3604 C3	3606 B4	008 B3	008 B3	A01 E4	K14 B3
3600 B1	3605 B4	3607 B4	008 B3	008 B3	A01 E4	K14 B3
3601 B1	3606 B4	3608 B4	008 B3	008 B3	A01 E4	K14 B3
3600 B1	3607 B4	3609 B4	008 B3	008 B3	A01 E4	K14 B3
3601 B1	3608 B4	3610 B4	008 B3	008 B3	A01 E4	K14 B3
3600 B1	3609 B4	3611 B4	008 B3	008 B3	A01 E4	K14 B3
3601 B1	3610 B4	3612 B4	008 B3	008 B3	A01 E4	K14 B3

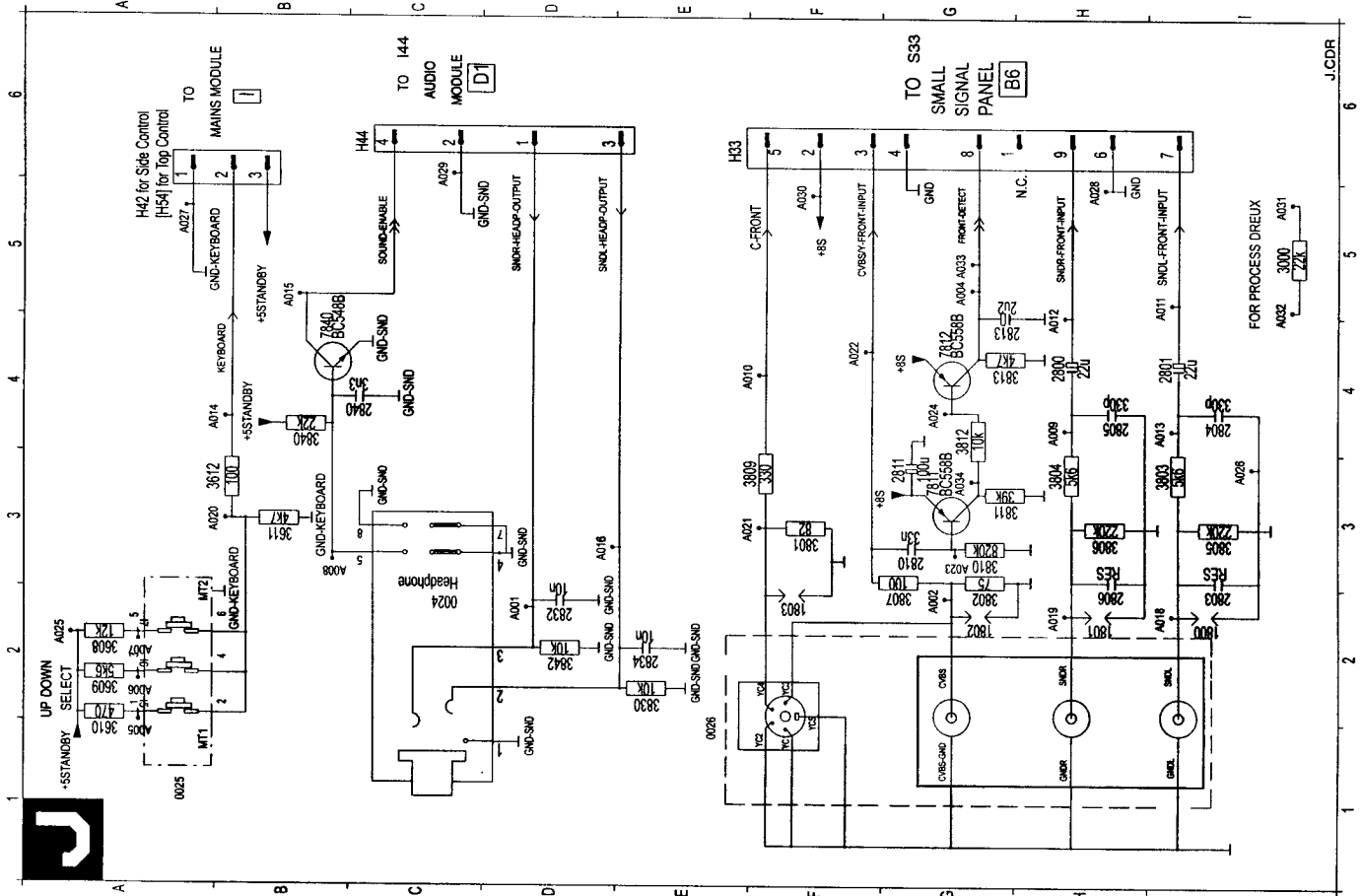


MAINS/RC5/LED PANEL FOR STYLING WITH SIDE I/O AND TOP CONTROL



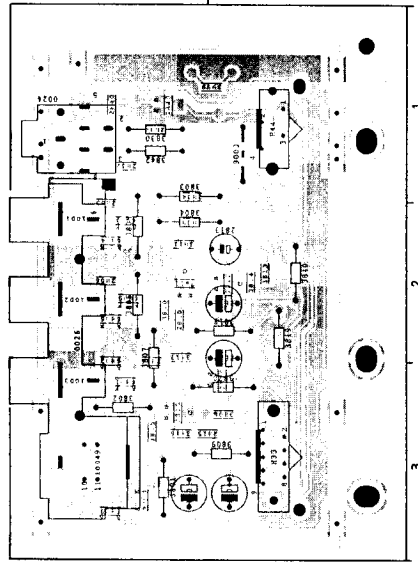
MAINS/RC5/LED PANEL FOR STYLING WITH SIDE I/O AND SIDE CONTROL



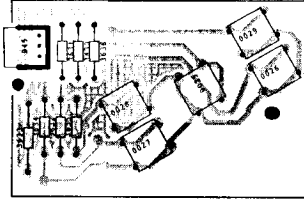


Styling with side Input/Output and top control

SIDE I/O PANEL

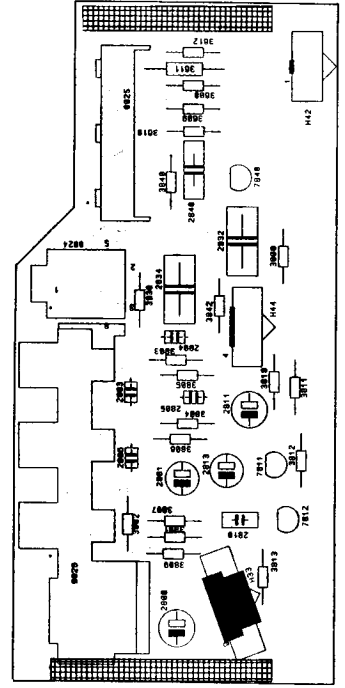


TOP CONTROL PANEL



Styling with side control + side Input/Output

SIDE CONTROL + I/O PANEL



For Service Manuals Contact  
MAURITRON TECHNICAL SERVICES  
8 Cherry Tree Rd, Chinnor  
Oxon OX9 4QY  
Tel:- 01844-351694 Fax:- 01844-352554  
Email:- enquiries@mauritron.co.uk